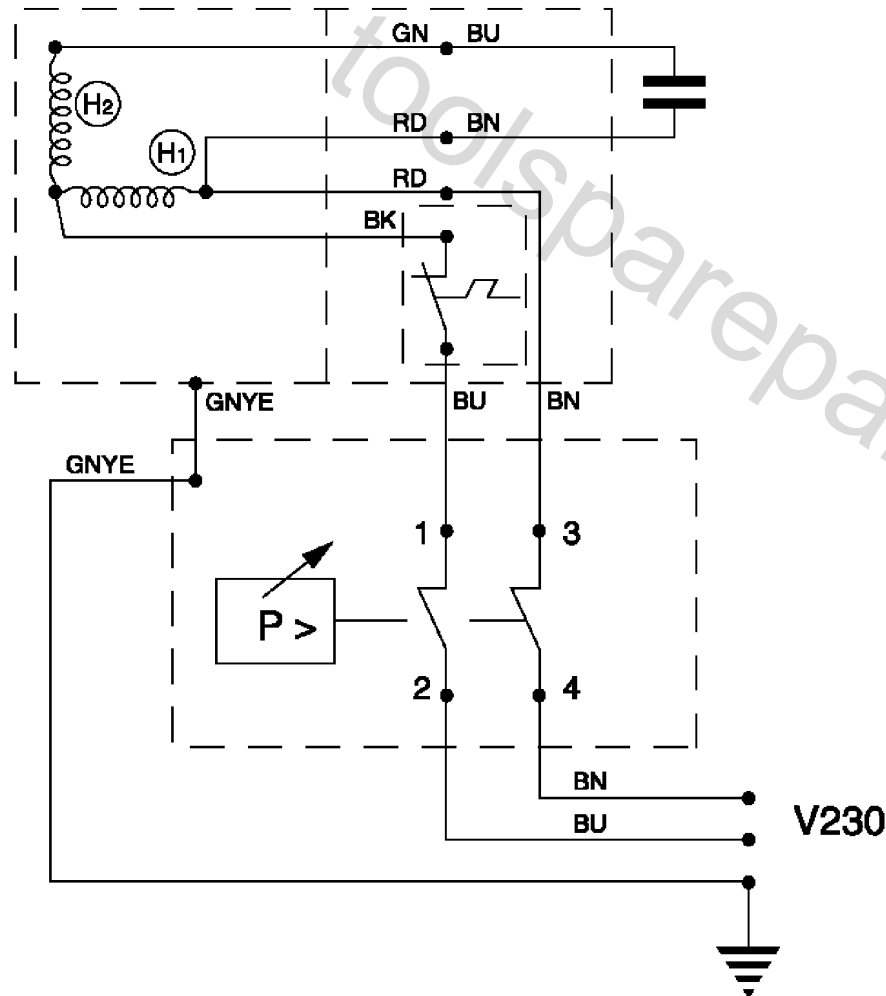


Position	Amount	Type number	Description	PG
1	1	7872663082	ANGLE BRACKET 1/4"AX1/4" ET	20
2	1	7820661987	FILTER PRESSURE REGULATOR FR BIT 1/4" MA	44
4	4	6143661561	Fillister head screw w.flange	10
5	1	1312683624	LID ET	47
6	4	6109079322	Threaded Plug R 1/2" VERZ.	
7	1	6202002305	HEXAGON NUT, PREV. TORQUE TYPE	10
8	2	7270663825	WHEEL, PNEUMATIC TYRE RD 260/85 M.STAHLF	38
9	1	7825661748	AIR FILTER ASSEMBLY ET	16
10	8	6103001151	Hex head screw	10
11	2	1313632098	CYLINDER HEAD ET	35
12	1	1319661650	VALVE PLATE SET ET	35
13	2	1319649707	CYLINDER ET	47
14	1	8100662281	MOTOR PROTECTION RELAY 15A / 250V-50/60H	32
15	1	1319662673	VALVE NA 2,2 BAR / 1/4"A ET	22
16	1	8240662699	STRAIN RELIEF RD 21 ET	20
17	1	1319663149	AIR COLLECTOR PIECE ET	30
18	1	1319662673	VALVE NA 2,2 BAR / 1/4"A ET	22
19	1	141113890	Cap screw	12
20	1	7806663101	DOUBLE NIPPLE R 1/4" 1 SEITE KONISCH/ET	16
21	1	1313632080	PRESSURE LINE ET	27
22	1	1311662046	ABDECKHAUBE SCHWARZ /	
23	1	1313632071	PRESSURE LINE ET	27
24	4	1315661907	TIE ROD M 6X185 ET	13
25	1	1319632049	FAN WING ET	32
26	1	6305002486	Washer	10
27	1	6304001745	Serrated lock washer	10
28	1	141114860	Hexagon head screw	12
29	1	1313632055	FAN COVER ET	39
30	4	6103031271	HEXAGON HEAD SCREW M 8X30 VERZ.	10
31	1	8050624472	CAPACITOR 50uF/450V M.KABEL /ET	40
32	4	6209110995	Flange nut	10
34	2	6109617006	THREADED PLUG 3/8" ET	19
35	1	1341731174	HARDWARE BAG SPA 1701	20
36	4	1315661893	SET SCREW M 8X35X14X16 ET	13
37	2	1319661600	GASKET KIT ET	25
38	2	1319683638	PISTON-CONNECTING ROD SET ET	46
39	1	141180120	Retaining ring	12
40	1	1319632138	GASKET ET	16
41	1	1313632144	COVER CRANKCASE ET	34
42	1	6103015675	Hex head screw	10
43	3	6131047582	CROSS RECESSED FLAT HEAD SCREW M 6X16 VE	10

44	1	1313632128	DIP STICK ET	14
45	4	6401160572	CIRCLIP FOR BORES 20X1 ET	10
46	2	7830142449	DRAIN VALVE R 3/8"	28
47	1	7831632016	RUECKSCHLAGVENTIL	
48	1	1319683646	PRESSURE LINE ET	30
49	1	7872663090	ELBOW TAP CONNECTOR 1/4"A X 6MM M.O-RING	23
50	1	6305002486	Washer	10
51	1	1319683654	HANDLE ET	25
52	1	7008662201	HANDLE BAR SLEEVE ET	24
53	1	141151340	Washer	10
54	1	7051683662	PRESSURE SPRING RDA15,35X2,47XLO20 ET	30
55	1	8402094428	CABLE, RUBBER JACKET,WITH PLUG A=437.1U	27
57	1	7851190842	PLASTIC HOSE BLACK RD 6X1X1000 SCHWARZ	17
58	1	1001661660	SUCTION FOOD ET	21
59	1	7833662630	SAFETY VALVE 1/4"A/10 BAR SV97-999 7D/G0	25
60	1	7806663110	DOUBLE NIPPLE R 1/4" ET	15
61	1	7823088501	PRESSURE GAUGE, REAR CONNECT RD 40 R1/4"	29
62	1	8101662161	AUTOM. PRESSURE CONTROL SWITCH MDR 2/11	38
63	1	7871042084	THREADED PLUG 1/4" NR.290 / VERZ.	19
64	1	7872663082	ANGLE BRACKET 1/4"AX1/4" I ET	20
65	1	7802009083	Quick COUPLER, SLEEVE R 1/4" AG	
66	1	7823088510	PRESSURE GAUGE, REAR CONNECT RD 40 R1/8"	29
67	1	1315662466	DOUBLE NIPPLE SW 17X75/ 1/4" ET	21



	Litzenfarben	Colour of strands	Couleur des cordons
BK	schwarz	black	noir
WH	weiß	white	blanc
BU	blau	blue	bleu
YE	gelb	yellow	jaune
RD	rot	red	rouge
TR	transparent	transparent	transparent
BN	braun	brown	brun
GY	grau	grey	gris
GNYE	grün-gelb	green-yellow	vert-jaune
BKWH	schwarz-weiß	black-white	noir-blanc
GN	grün	green	vert
OG	orange	orange	orange
VT	violett	violet	violet
TQ	türkis	turquoise	turquoise

	Bedeutung der Kurzzeichen	Meaning of the symbols	Interprétation des symboles
B	Stecker	plug	fiche
C	Kondensator	condenser	condensateur
D	Funkentstördrossel	interference suppression inductance	inductance d'antiparasitage
E	Elektronik-Baustein	electronic unit	unité électronique
I	Induktionsspule	induction coil	bobine d'inductance
K	Klemme	terminal	borne
L	Licht	light	lumière
M	Motor	motor	moteur
O	Überlastschutz	overload cut-out	déclencheur de surintensité
R	Drehrichtungsumschalter	reversing switch	commutateur droite-gauche
S	Schalter	switch	interrupteur
U	Umschalter	change-over switch	commutateur
X	Elektronik-Element	electronic element	élément électronique